



Dishwasher

Installation Manual

BS24DW

USA

250762-0

To prevent accidents, which could cause serious injury or death, as well as machine damage read these instructions before installation and / or use.

| | |
|--|-----------|
| INTRODUCTION | 1 |
| 1. IMPORTANT SAFETY INSTRUCTIONS | 1 |
| 1.1 INSPECT THE DISHWASHER | 2 |
| 2. TOOLS WHICH MAY BE NEEDED | 3 |
| 3. MATERIALS WHICH MAY BE NEEDED | 3 |
| 4. MATERIALS SUPPLIED | 4 |
| 4.1 PARTS SUPPLIED | 4 |
| 4.2 MANUAL BAG | 4 |
| 4.3 DISHWASHER PARTS BAG 1 | 4 |
| 4.4 PARTS ATTACHED TO THE REAR OF THE DISHWASHER | 4 |
| 5. DISHWASHER SPECIFICATIONS | 5 |
| 5.1 TECHNICAL FEATURES | 6 |
| 6. PREPARATIONS | 6 |
| 6.1 FOAM RUBBER INSTALLATION | 6 |
| 6.2 ELECTRICAL PREPARATION | 7 |
| 6.3 GROUNDING INSTRUCTIONS | 7 |
| 6.4 STEAM PROTECTION FOIL | 8 |
| 6.5 ADJUSTING HEIGHT | 9 |
| 6.6 INSTALLING THE SIDE PLUGS | 9 |
| 6.7 INSTALLING THE SIDE TRIM STRIPS | 10 |
| 6.8 PREPARATION FOR INSTALLING MOUNTING BRACKETS | 10 |
| 6.9 PREPARING THE WATER CONNECTION | 11 |
| 7. PLACEMENT OF DISHWASHER INTO THE OPENING | 12 |
| 8. SECURING THE DISHWASHER | 13 |
| 8.1 READJUSTING FOOT LEVELS | 13 |
| 8.2 ATTACHING THE CORNER BRACKETS | 13 |
| 8.3 FIXING THE CABINET TO THE COUNTER | 14 |
| 9. CONNECTION | 15 |
| 9.1 DRAIN HOSE CONNECTION, WATER SUPPLY & ELECTRICAL CONNECTIONS | 16 |
| 9.2 DRAIN PREPARATION | 16 |
| 10. ADJUSTING THE MOVABLE TOE KICK | 18 |
| 10.1 FELT AND RUBBER ASSEMBLY | 20 |
| 10.2 ADJUSTING THE KITCHEN CABINET KICK PLATE | 22 |
| 11. ELECTRICAL CONNECTION | 22 |
| 12. INSTALLER CHECKLIST | 23 |
| 13. SELF HELP HINTS: | 23 |

INTRODUCTION

Please read this installation manual and particularly the safety instructions completely and carefully. They will save you time and effort and help to ensure optimum dishwasher performance.

Be sure to observe all listed warnings and cautions. Look particularly for the icons with exclamation marks inside. The information icon also will provide important references.



WARNING:

Indicates a potentially hazardous situation which, if not avoided, could result in death or serious injury.

CAUTION:

Indicates a potentially hazardous situation which, if not avoided, may result in injury. It may also be used to alert against unsafe practices.

NOTICE:

Indicates a potentially hazardous situation which, if not avoided, may result in damage to the dishwasher, the table-ware, the equipment or the environment.

1. IMPORTANT SAFETY INSTRUCTIONS

In addition to these instructions, the dishwasher shall be installed:

- In accordance with all local codes or, in absence of a local code,
- In the United States, with the National Electric Code,
- In Canada, with the Canadian Electric Code C22.1-latest edition/Provincial and Municipal codes and/or local codes.

NOTICE :

Read these installation instructions completely before installing and follow them carefully. Save these installation instructions and pass them on to any future user.

WARNING

When installing the dishwasher, follow basic precautions, including the following:

- The dishwasher should only be converted from cord-connected to permanently connected by a licensed electrician.
- Installation and repair should be performed by a qualified installer. Work by unqualified persons could be dangerous and may void the warranty.

NOTICE :

- Do not operate the appliance if damaged, malfunctioning, partially disassembled or if it has missing or broken parts.
- Also follow the safety instructions of the user manual.
- To reduce the risk of electric shock, fire, or injury to persons, the installer must ensure that the dishwasher is completely enclosed at the time of installation.
- Only connect the dishwasher to the power supply when all installation and plumbing work is complete.
- If the dishwasher is installed in a location that experiences freezing temperatures (e.g. in a vacation home, cabin, etc.), you must drain all the water from the dishwasher's interior. Water system ruptures that occur as a result of freezing are not covered by warranty.

- **⚠ CAUTION:** Dishwasher must be secured to adjacent cabinetry using the brackets provided. Failure to do this may cause damage to property or bodily injury.
- Connect to a properly rated, protected and sized power supply circuit to avoid electrical overload. The dishwasher is designed for an electrical supply of 120 V (volts), 60 Hz (hertz), AC, connected to a dishwasher-dedicated, properly grounded electrical circuit with a fuse or breakers rated for 15 amperes. These requirements must be met to prevent injury and machine damage. Consult a qualified electrician if in doubt.
- Do not use any extension cord or portable outlet device to connect the dishwasher to a power supply.
- Ensure that any plastic wrappings, bags, small pieces etc. are disposed of safely and kept out of the reach of children. Danger of suffocation!
- Remove the door to the washing compartment when removing an old dishwasher from service or discarding it. Ensure that the appliance presents no danger to children while being stored for disposal.
- Old appliances may contain materials that can be recycled. Please contact your local recycling authority about the possibility of recycling these materials.

ⓘ NOTICE :

- The dishwasher drain hose must be installed with a drain loop at least 28" (710mm) off the cabinet floor; otherwise the dishwasher may not drain properly.

- This dishwasher is intended for residential use only, and should not be used in commercial establishments.
- New installation - If the dishwasher is a new installation, most of the work must be done before the dishwasher is moved into place.
- Replacement - If the dishwasher is replacing another dishwasher, check the existing dishwasher connections for compatibility with the new dishwasher, and replace parts as necessary.

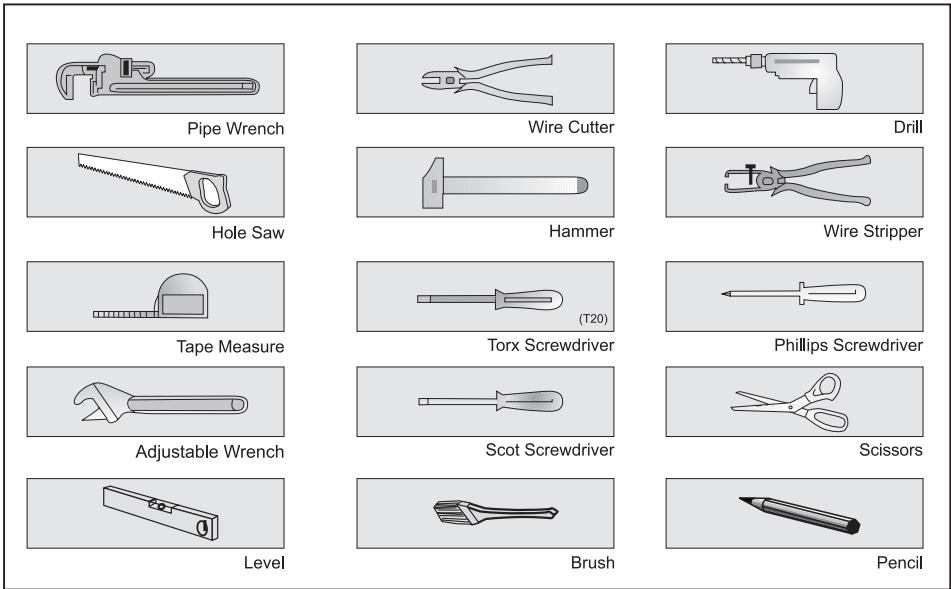
1.1 INSPECT THE DISHWASHER

After unpacking the dishwasher and prior to installation, thoroughly inspect the dishwasher for possible freight or cosmetic damage. Report any damage immediately.

ⓘ NOTICE :

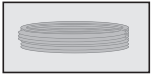
- Do not discard any bags or items that come with the original package until after the entire installation has been completed.

2. TOOLS WHICH MAY BE NEEDED



3. MATERIALS WHICH MAY BE NEEDED

(Additional materials may be required to comply with local codes)



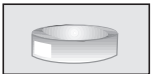
Hot Water Supply Line - Minimum 3/8" O.D. copper tubing or metal braided dishwasher supply line.



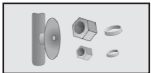
Elbow with 3/4" FHT (female threaded) for dishwasher side, and sized to fit your water supply line (copper tubing/compression fitting, or braided hose) on the other side. Dishwasher connection is 3/4" male.



UL listed conduit connector or strain relief.



Teflon tape or other pipe thread compound to seal plumbing connections.



Shut-off valve and fittings appropriate for hot water supply line (copper tubing/compression fitting, or braided hose).



Silicone



Glue



Dishwasher Discharge Hose Adaptor

4. MATERIALS SUPPLIED

a.  — x1

b.  — x1

d.  — x4

e. — x1

f. — x1

g. — x1

h. — x1

j. — x1

k. — x1

l. — x1

p. — x1

v. — x4

y. — x4

z. — x1

4.1 PARTS SUPPLIED

Parts for your dishwasher will come in several plastic bags. Check your parts bags shown to make sure you have all the parts as listed to the left.

4.2 MANUAL BAG

The dishwasher comes with a manual bag containing:

- User manual,
- Installation manual

4.3 DISHWASHER PARTS BAG 1

This dishwasher bag comes with the following parts:

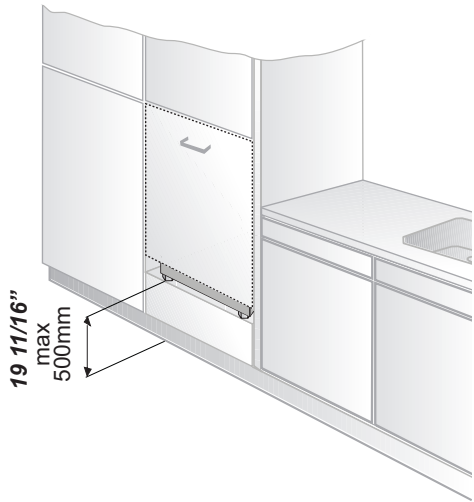
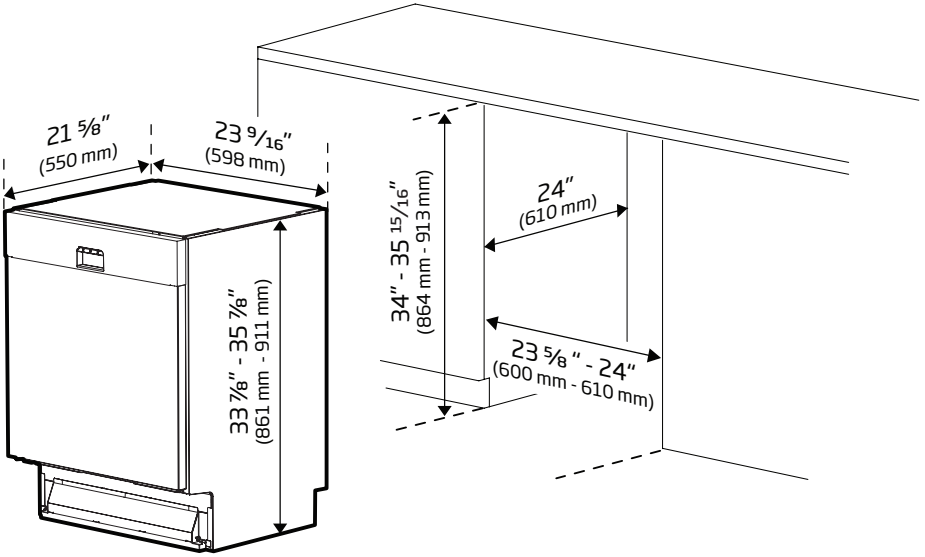
- d. Screws \emptyset 3/16" x 1/2" (\emptyset 4 mm x 13 mm)
- e. Mounting Bracket Left
- f. Mounting Bracket Right
- g. Spring Clamp
- h. Screw Clamp
- j. Rubber Connector
- k. Toe Kick Bracket - Left
- l. Toe Kick Bracket - Right
- v. Side centering
- y. Screws \emptyset 3/16" x 1 7/16" (\emptyset 4 mm x 36 mm)
- z. Steam protection foil

4.4 PARTS ATTACHED TO THE REAR OF THE DISHWASHER

- a. Side Trim Strips (Left)
- b. Side Trim Strips (Right)
- p. Toe Kick

5. DISHWASHER SPECIFICATIONS

TALL TUB MODELS



5.1 TECHNICAL FEATURES

| | |
|----------------------------|--|
| Permissible water pressure | 4.35 - 145 psi (0.3 - 10 bars) |
| Electrical connection | 120 V (volts), 12 A (amps), 60Hz (hertz) |
| Required Curcuit Breaker | 15 A(amps), Dedicated |
| Total power | 1400 W (watts) |
| Heater power | 1100 W (watts) |

ⓘ NOTICE :

Because we continually strive to improve our products, we may change our specifications and design without prior notice.

This device corresponds to the following directives:

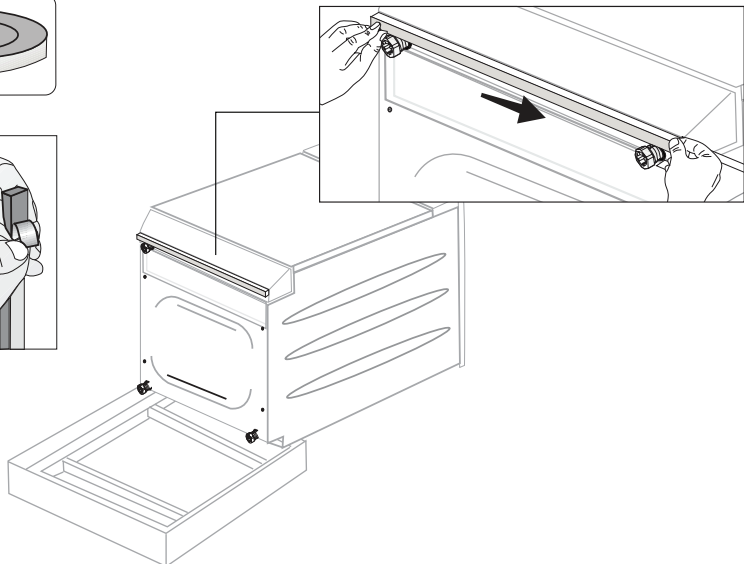
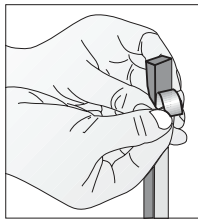
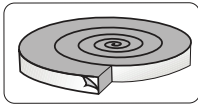
UL 749 Household Dishwasher directive.

6. PREPARATIONS

6.1 FOAM RUBBER INSTALLATION

Please open the foam insulation tape and follow the instructions in it.

This step is not imperative, but it will help you improve your soundproofing.



6.2 ELECTRICAL PREPARATION

WARNING

The dishwasher is designed for an electrical supply of 120 V, 60 Hz, AC, connected to a dishwasher-dedicated, properly grounded electrical circuit with a fuse or breaker rated for 15 amperes.

- Only connect the dishwasher to the power supply when all installation and plumbing work is complete.
- Do not use any extension cord or portable outlet device to connect the dishwasher to a power supply.
- The power-supply receptacle for the appliance shall be installed in a cabinet or on a wall adjacent to the undercounter space in which the appliance is to be installed.
- The access hole of the supply cord to the installation compartment must be smooth and rounded and it must be large enough for the attachment plug to pass through. The longest dimension of the opening shall not be more than 1,5" (38 mm). If the partition is metal, it needs to be covered with an edge protector.
- Care must be taken when the appliance is installed or removed, to reduce the likelihood of damage to the power-supply cord.

6.3 GROUNDING INSTRUCTIONS

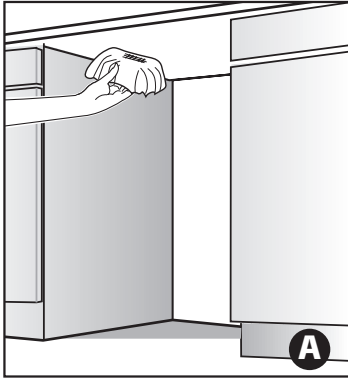
This appliance must be grounded. In the event of a malfunction or breakdown, grounding will reduce the risk of electric shock by providing a path of least resistance for electric current. This appliance is equipped with a cord having an equipment-grounding conductor and a grounding plug. The plug must be plugged into an appropriate outlet that is installed and grounded in accordance with all local codes and ordinances. This appliance must be connected to a grounded metal, permanent wiring system, or an equipment-grounding conductor must be run with the circuit conductors and connected to the equipment-grounding terminal or lead on the appliance.

WARNING

Improper connection of the equipment-grounding conductor can result in a risk of electric shock. Check with a qualified electrician or service representative if you are in doubt whether the appliance is properly grounded. Do not modify the plug provided with the appliance, if it will not fit the outlet, have a proper outlet installed by a qualified electrician.

6.4 STEAM PROTECTION FOIL

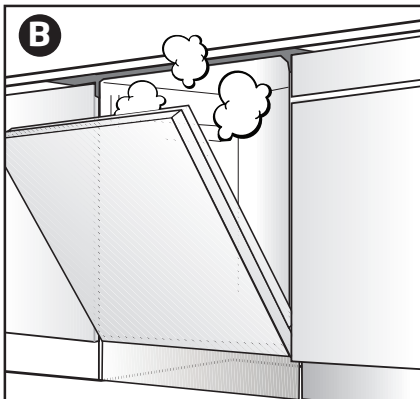
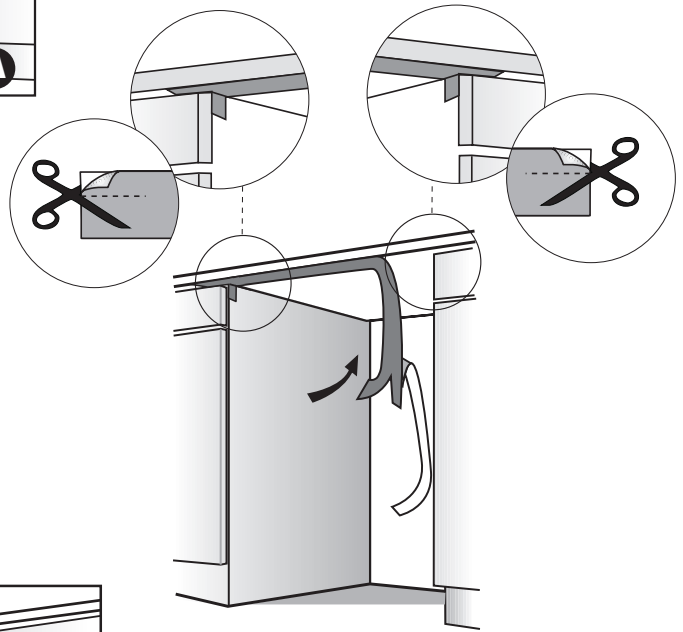
Steam will form inside the dishwasher during operation. At the end of the cycle, when the dishwasher door is opened, it is required to use a steam protection foil to prevent any steam from collecting on the underside of the countertop.



6.4.1 FITTING THE PROTECTION FOIL

Before applying the steam protection foil to the underside of the countertop, clean the area with a damp cloth (as shown in Figure A). Once the area dries, apply the steam protection foil.

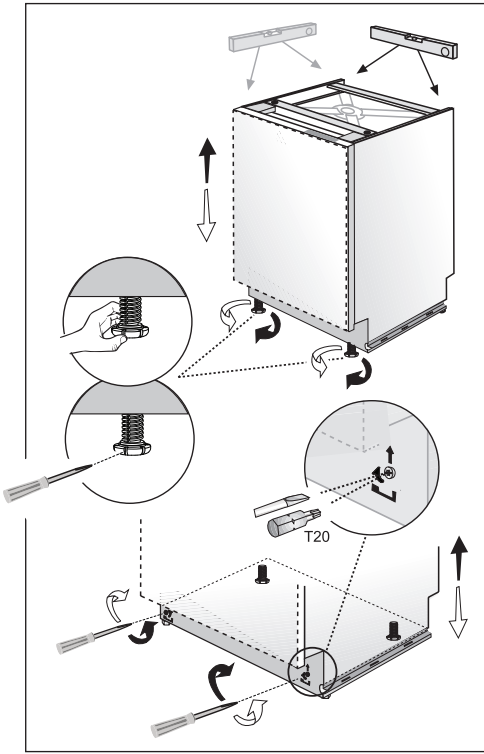
The steam protection foil will be applied at the location where the hot steam escapes when you first open the door (as shown in Figure B).



⚠ CAUTION

Steam protection foil must be applied where the steam escapes when door is first opened. **Failure to install the steam protection foil during installation can lead to damage to the cabinets and countertop.**

6.5 ADJUSTING HEIGHT

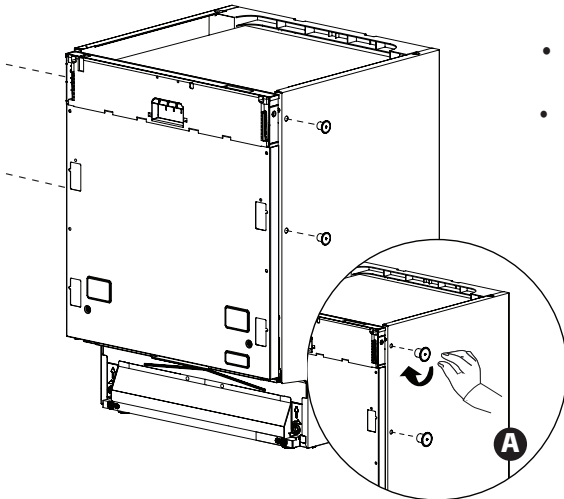


Adjust the front foot level by hand or slotted screwdriver to balance and raise the dishwasher to the enclosure height. Adjust the rear foot level with a screwdriver to balance and raise the dishwasher to the enclosure height.

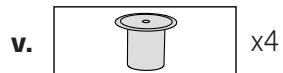
NOTICE :

- Make sure the dishwasher is plumb and notice that the dishwasher can be placed under the counter with approximately 3/32" (2 mm) of clearance.
- Turning the screwdriver in the direction of the black arrows (as shown in the illustration right) will raise the rear feet, causing the dishwasher to go down in the back.
- Turning the screwdriver in the direction of the white arrows (as shown in the illustration right) will lower the rear feet, causing the dishwasher to go up in the back.

6.6 INSTALLING THE SIDE PLUGS



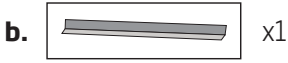
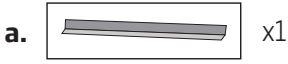
- Install the plugs on both sides of your machine.
- Tighten with hand, don't use screwdriver (Figure **A**)



6.7 INSTALLING THE SIDE TRIM STRIPS

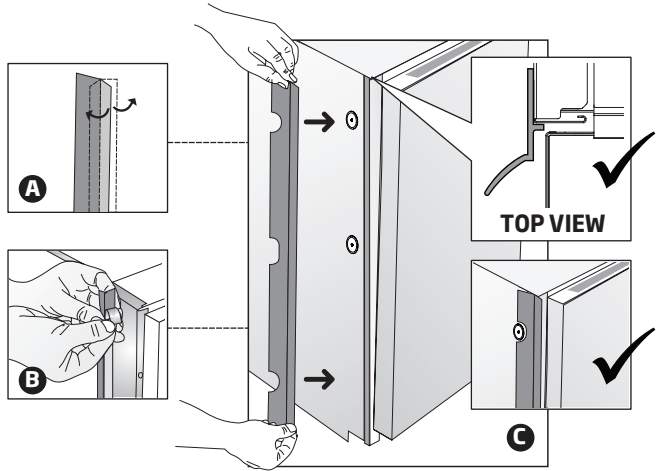
NOTICE :

- Make sure you are using the correct side of the trim. The flexible material should be facing forward (Figure A).



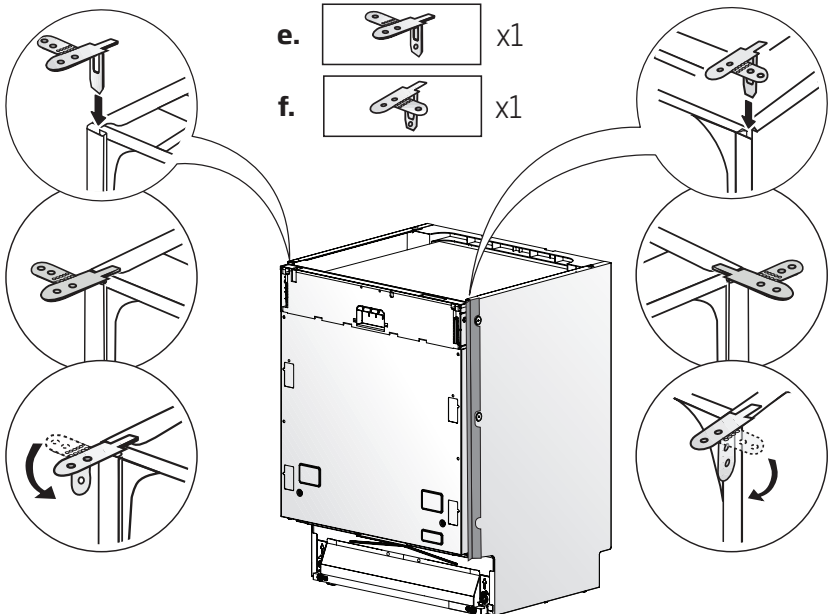
Remove the adhesive tape (Figure B)

Place the trim strips on the front edge of the side walls (Figure C).



6.8 PREPARATION FOR INSTALLING MOUNTING BRACKETS

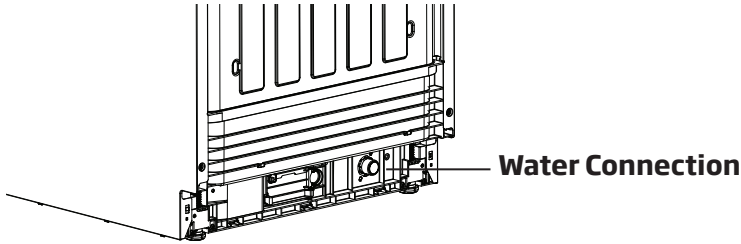
Place the two mounting brackets into the top corners of the dishwasher. Bend sides of mounting brackets as shown in the figure.



6.9 PREPARING THE WATER CONNECTION

Install an easily accessible shut-off valve (not supplied) in the water supply line. All solder connections must be made before the water line is connected to the dishwasher's water inlet valve. Water can also be supplied to the dishwasher by using a flexible braided hose line.

Check with your plumbing supply sources for the proper hose and elbow and necessary fittings for the water supply line. This material is not supplied, and must be purchased separately.



⚠ WARNING

Installation should be performed by a qualified installer. Work by unqualified persons could be dangerous and may void the warranty.

If the dishwasher is installed in a location that experiences freezing temperatures (e.g. in a vacation home, cabin etc.), you must drain all the water from the dishwasher's interior. Water system ruptures that occur as a result of freezing are not covered by warranty.

6.9.1 WATER SUPPLY CONNECTION

Water supply may be connected to the dishwasher in one of two ways:

- With metal braided hose.
- With copper tubing.

⚠ CAUTION

- Hot water supply line: Use minimum 3/8" O.D. copper tubing or metal braided dishwasher supply line.
- Temperatures required for soldering and sweating will damage the dishwasher's water inlet valve so if any such operation is needed, keep the heat source min. 7-7/8" (200mm) away from the dishwasher's water inlet valve.

- There should not be any sharp bends in the water line that may restrict the water flow.

📌 NOTICE :

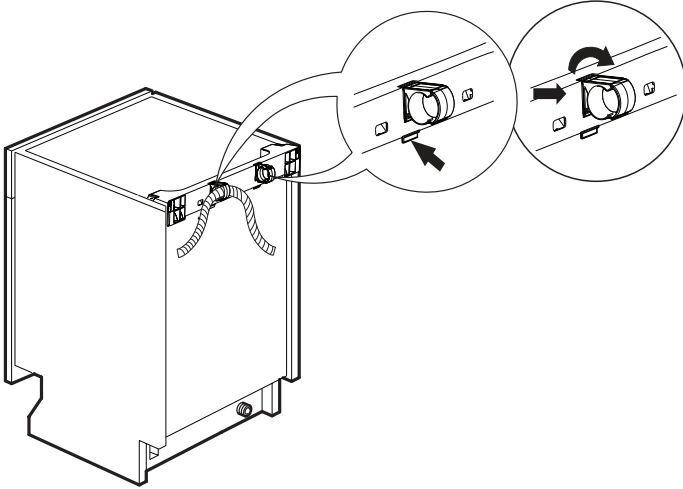
After connections are made turn on the water supply to check for leaks.

7. PLACEMENT OF DISHWASHER INTO THE OPENING

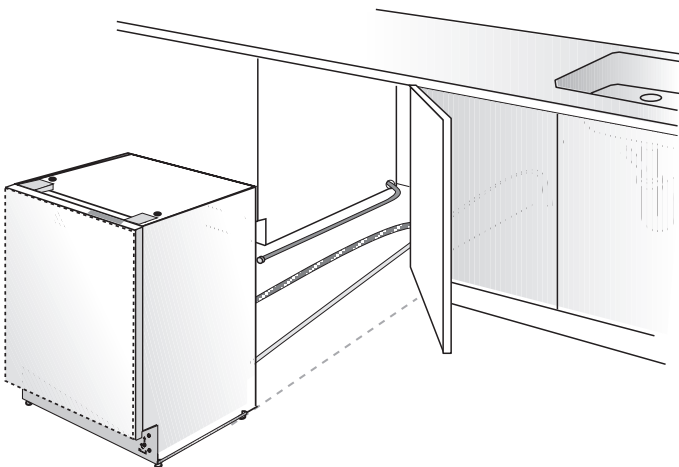
Before placing the machine in the cabinet, remove the hose holders from the back of the machine as shown in the figure.

NOTICE :

- If you do not remove these parts holding the hose, you cannot fully place the machine in the cabinet.
- Do not throw away these parts, you can use to fix the hose it to the cabinet or wall.



Now place the dishwasher into the opening and get ready to connect all hoses and electrical connections.



CAUTION

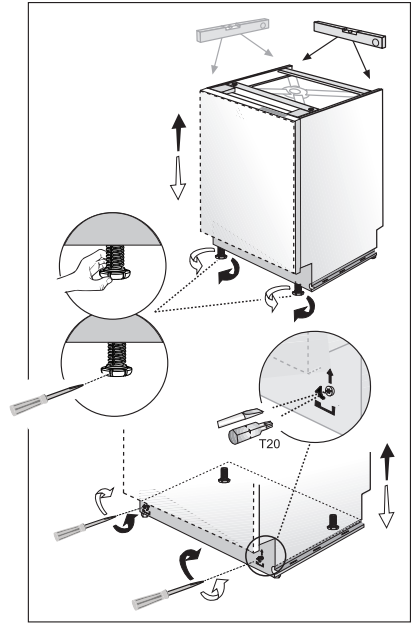
Make sure all hoses are pulled through the side opening of the cabinet, no hoses are kinked and all slack is taken out as shown in the above figure.

8. SECURING THE DISHWASHER

8.1 READJUSTING FOOT LEVELS

Now that the dishwasher is in the cabinet you must readjust the feet to bring the dishwasher up to the required height and attach it underneath the countertop.

1. Readjust the front foot levels with adjusting wrench to balance the dishwasher and raise it up under the countertop, make sure the unit is level.
2. Readjust the rear foot levels with a screwdriver to balance the dishwasher.



8.2 ATTACHING THE CORNER BRACKETS

⚠ WARNING

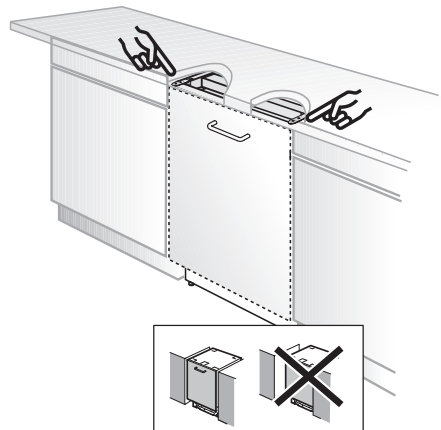
Dishwasher must be secured to adjacent cabinetry using the mounting brackets provided. Failure to do this may cause damage to property or bodily injury.

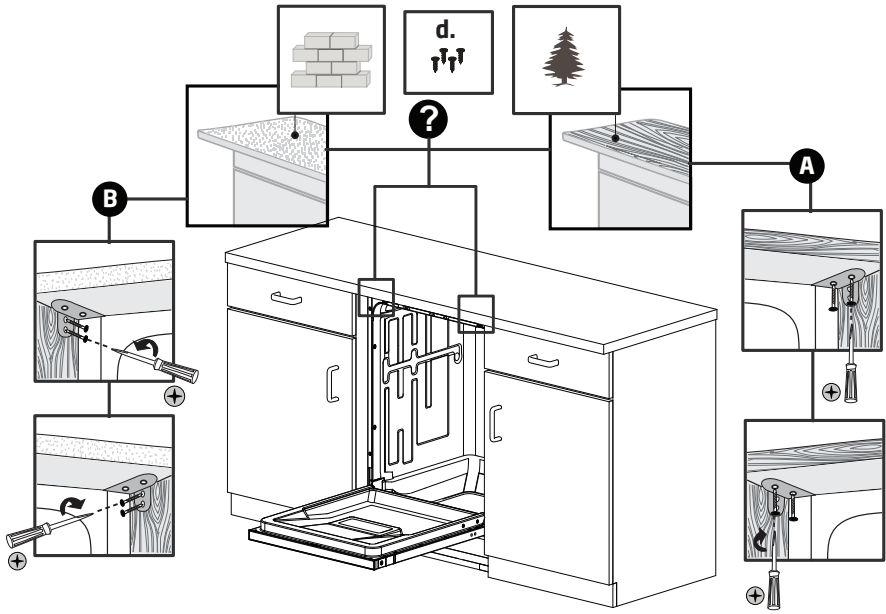
Make sure the machine is level with the counter. The machine should not be ahead or behind the counter.

If your counter is wooden, fix the mounting brackets on the right and left sides under the bench with the screws provided as shown in (A).

If your bench is not wooden, fix the mounting brackets on the right and left sides under the bench with the screws provided as shown in (B).

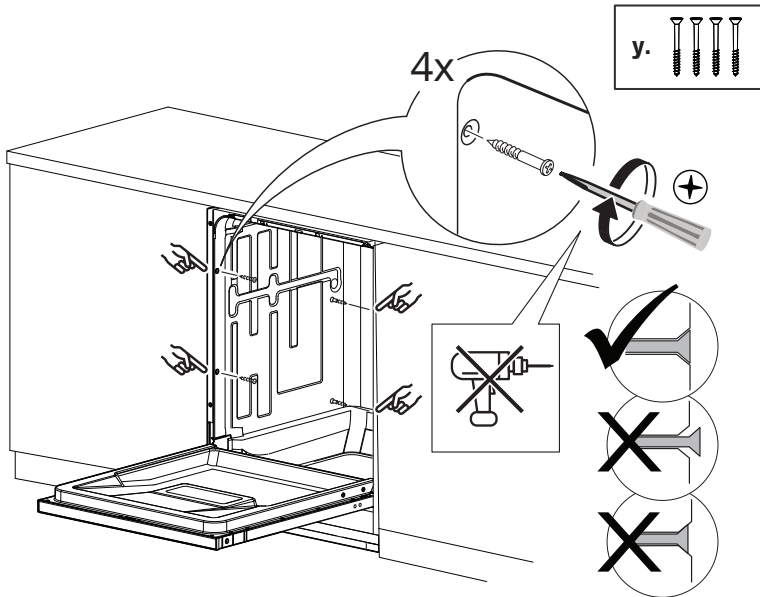
Make sure you do not go through the top of the countertop or damage granite.



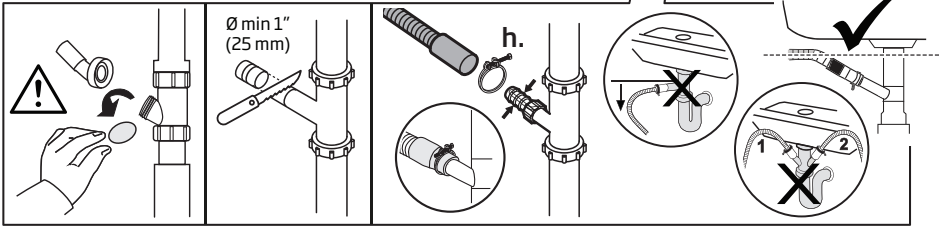
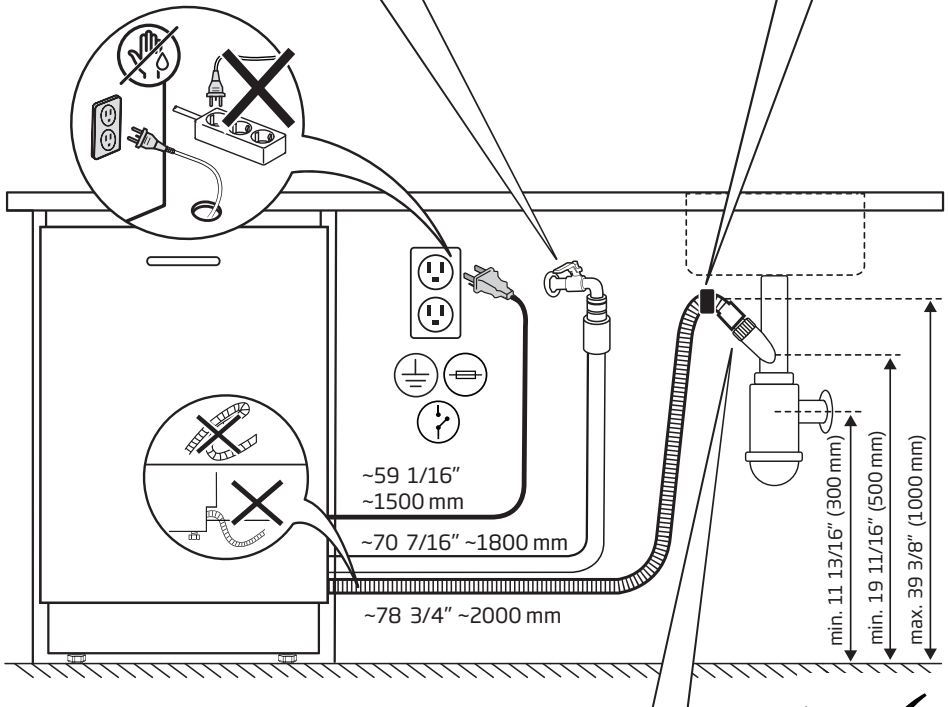
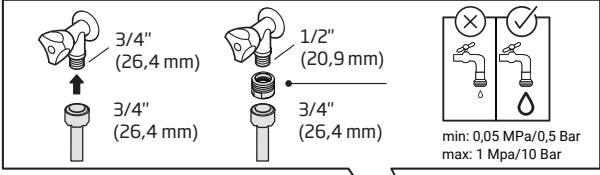
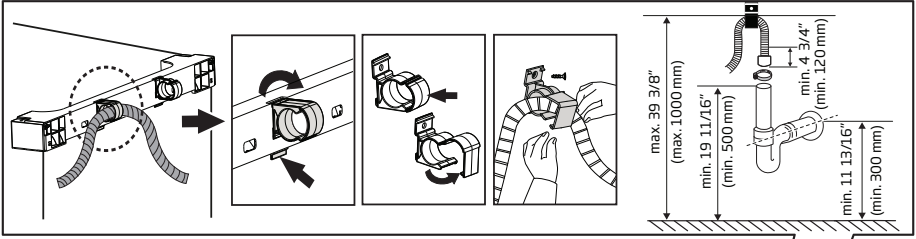


8.3 FIXING THE CABINET TO THE COUNTER

Fix the machine from the inside of the cabinet at the four points indicated with the screws provided.



9. CONNECTION

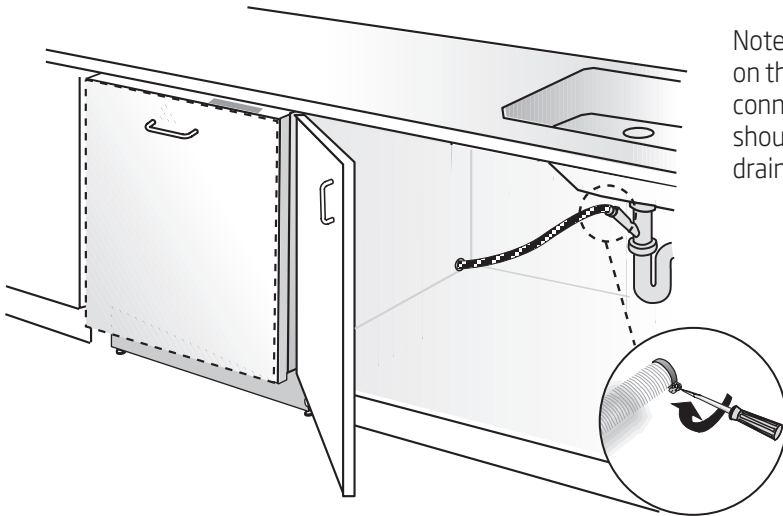


9.1 DRAIN HOSE CONNECTION, WATER SUPPLY & ELECTRICAL CONNECTIONS

9.1.1 DRAIN HOSE CONNECTION

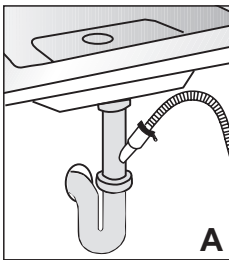
Connect the drain hose to the drain plumbing.

1. Use the supplied rubber connection hose and drain hose clamps to connect the dishwasher drain hose to the plumbing drain connection.
2. Use the spring clamp to secure the rubber connection hose to the dishwasher drain hose. Use the screw clamp to secure the rubber connection hose to the plumbing drain connection.



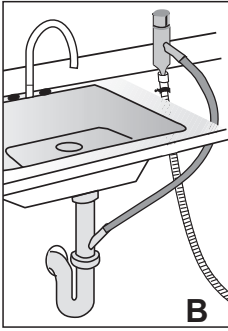
9.2 DRAIN PREPARATION

The dishwasher drain hose may be connected to the drain plumbing in one of three ways (Figure A, B, C).



NOTICE :

- Either one of the above methods must be used or the dishwasher will not operate properly.
- A hose that attaches to a sink spray can burst if it is installed on the same water line as the dishwasher. If your sink has one, it is recommended that the hose be disconnected and the hole plugged.
- The total length of the drain hose is 76-3/4" (1950mm). If a hose extension is required, a drainage hose of equal quality must be used.
- The maximum length must not exceed 157-1/2" (4000mm). Otherwise, the cleaning process is negatively influenced.



9.2.1 UNDER THE SINK DRAIN

Install a Y-branch tail pipe. (Figure A)

NOTICE :

You must add a loop at least 28" (710mm) above the floor of the cabinet and above the drain connection in the drain hose to prevent waste water from not draining properly, and causing either poor washing results or a bad odor.

9.2.2 INSTALLING AN AIR GAP

If the local ordinance requires an air gap (Figure B).

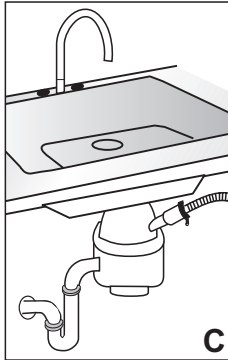
NOTICE :

Check with local ordinance for type of air gap required.

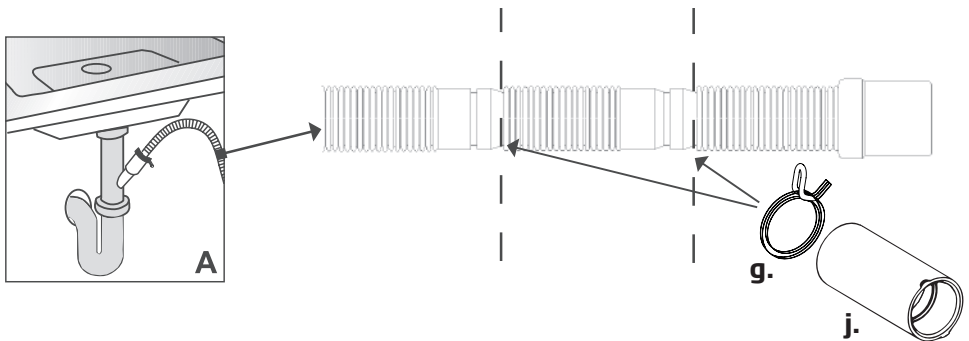
9.2.3 DISPOSAL

Remove the drain connection plug before attaching the drain hose from the dishwasher.

Every disposal has a hook up for a dishwasher; consult your disposer manual for correct connection. (Figure C)



9.2.1 UNDER THE SINK DRAIN (ALTERNATIVE)






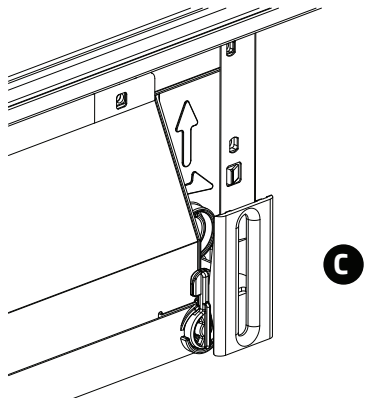
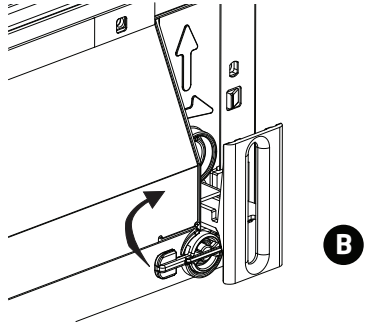
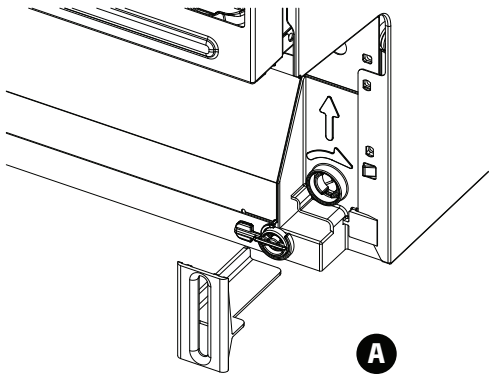
If the connection diameter is different than standard discharge hose connections, please use the connector piece provided with the machine with instructions illustrated.

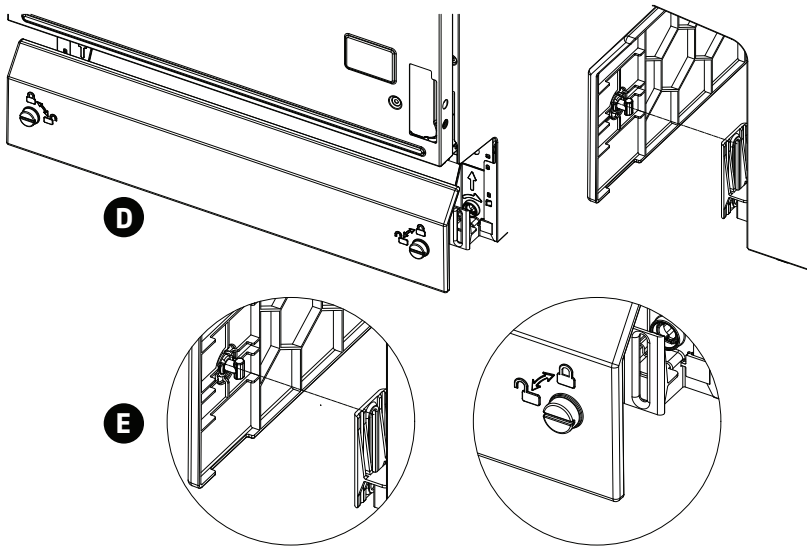
10. ADJUSTING THE MOVABLE TOE KICK

Now that you have successfully installed the dishwasher, you need to attach the toe kick to the dishwasher. The two piece toe kick can be adjusted to the height and depth needed for your kitchen. Be sure to use the slotted toe kick in the front and the other behind it. They slide into each other.

Place parts K and L to the channel shown in Figure A for both sides as shown in Figure B. Then fix them in the direction shown with the arrow in Figure C and Figure B.

- p.**  x1
- k.**  x1
- l.**  x1

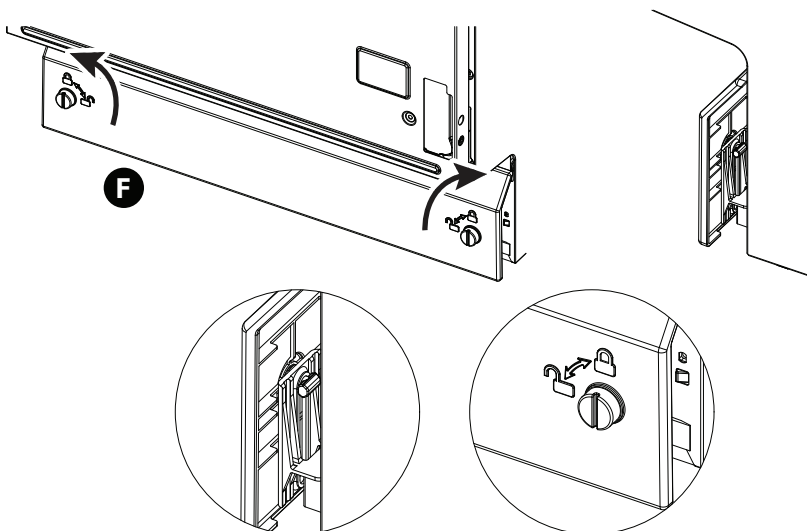




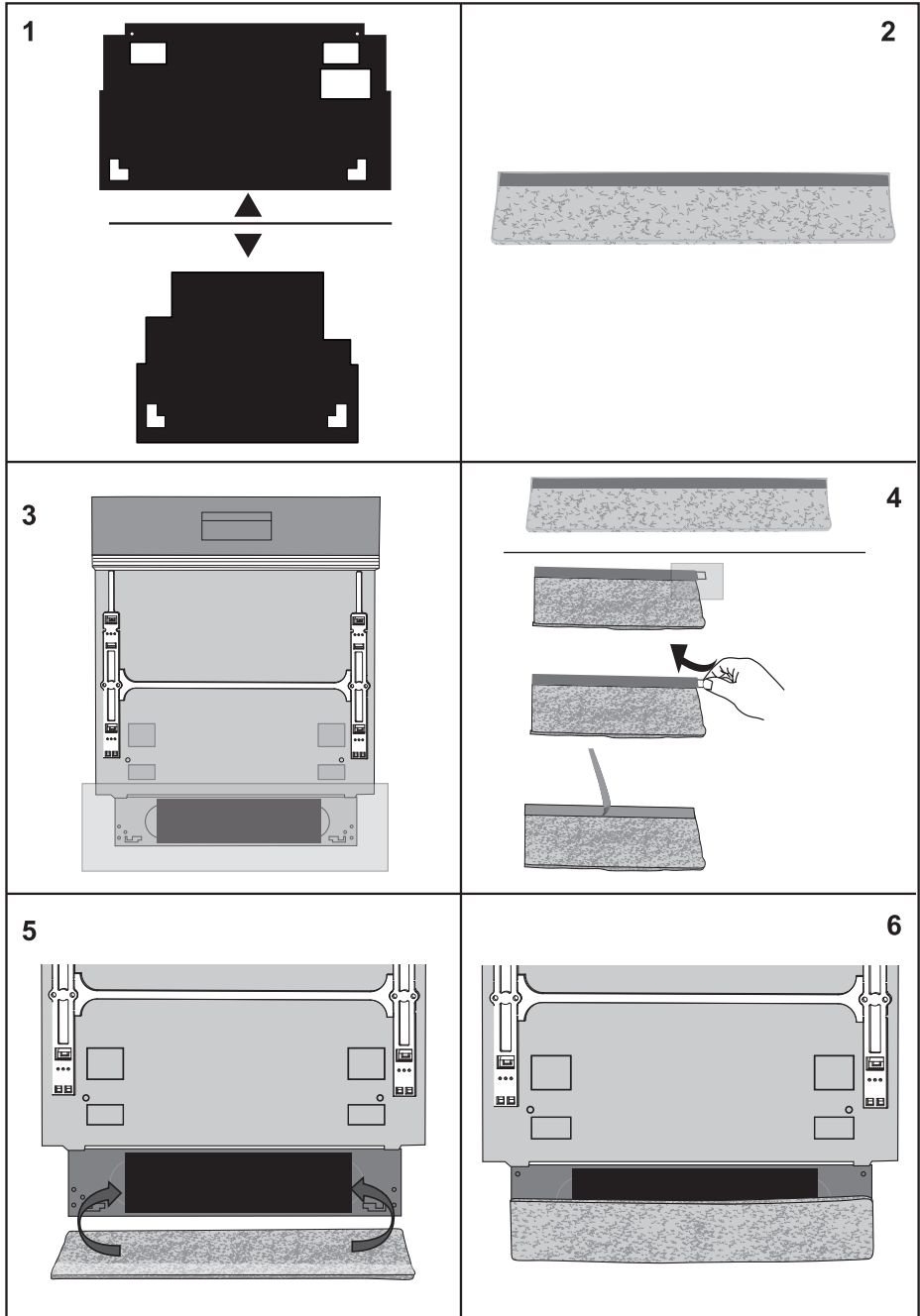
Open the fixing part on the Toe Kick(p). (D)

Place it on the slots, which are on the brackets fixed before, and adjust the height (max. 40 mm). (E)

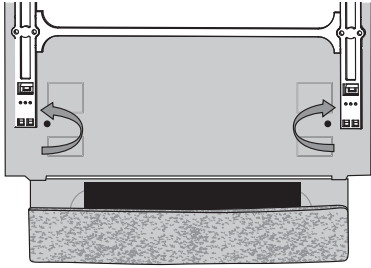
Close the fixing part on the Toe Kick. (F)



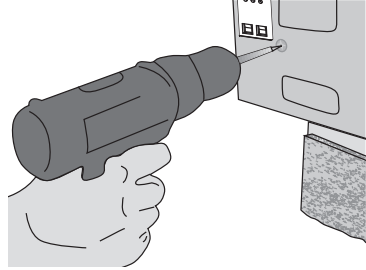
10.1 FELT AND RUBBER ASSEMBLY



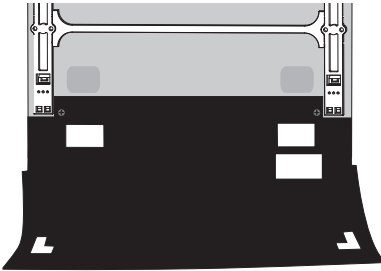
7



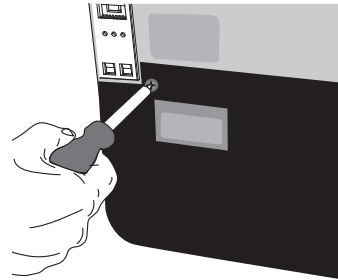
8



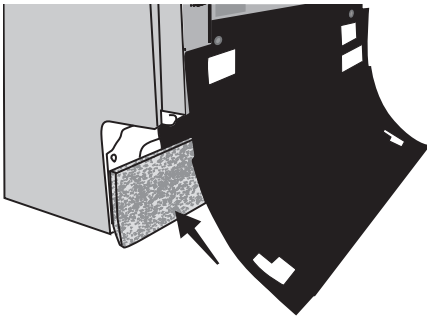
9



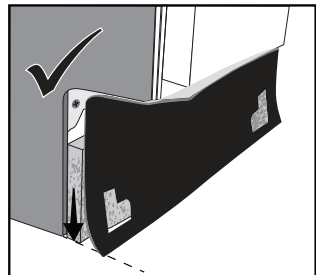
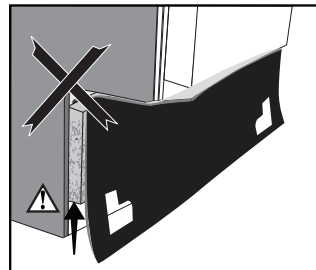
10



11

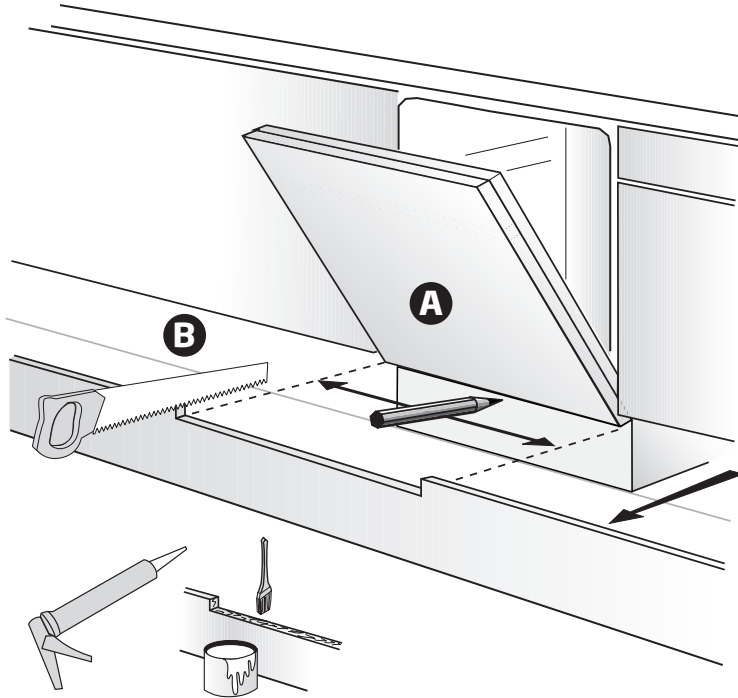


12



10.2 ADJUSTING THE KITCHEN CABINET KICK PLATE

- Check whether the bottom of the door hits the toe kick of the kitchen cabinet (**A**).
- If the door hits the toe kick cut the necessary section out of the toe kick (**B**).
- Apply silicon or sealant to the cut edge of the kitchen cabinet toe kick or paint so it does not absorb moisture.



11. ELECTRICAL CONNECTION

⚠ WARNING

- Make sure the voltage and frequency listed on the data plate correspond with the household electrical supply. This data must correspond to prevent injury and machine damage. Consult a qualified electrician if in doubt.

12. INSTALLER CHECKLIST

Your installer must have completed and checked the following:

- The dishwasher is square and level.
- The dishwasher is fastened securely to the cabinetry.
- The dishwasher door opens and closes freely. The dishwasher door must close without hitting any cabinetry or counter top.
- The inlet water supply is turned on and checked for leaks.
- The drain hose has been connected and checked for leaks. There must be no kinks or obstructions in the drain hose.
- The drain hose must be installed with a 28" (710mm) high drain loop for drain hook-ups without any air removed.
- If the dishwasher drain is hooked up to a garbage disposal, the drain hopper plug must be removed.
- The spray arms are free and rotate freely.
- The rinse cycle has been run.
- The water level will be below the filter screen after the end of the wash program. It is normal to find some water in the drain filter area.

13. SELF HELP HINTS:

The screen does not come on:

- Check to make sure the breaker to the dishwasher is in the on position.
- Check to make sure that the Supply cord is plugged.

No Water is coming into the dishwasher:

- Check to make sure the hot water shut-off is in the ON position.

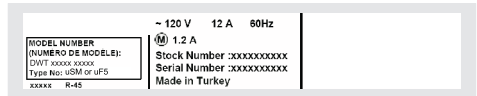
Water does not drain:

- Make sure drain hose is not kinked or comes out of air gap next to the sink.

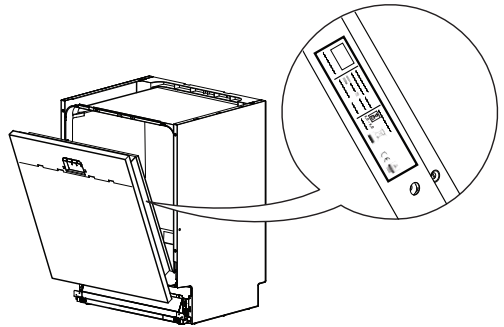
- Remove drain hose from disposal making sure plug is removed.

NOTICE :

- If your dishwasher is not operating properly after following these steps: Contact your dealer to schedule an authorized service agent to inspect your new dishwasher for any function related failure.
- The manufacturer warranty does not cover installation, conversion or customer education service visits.



You will find the model and serial number information on the label located on the right-hand side of the inner door of your dishwasher, as shown above.



NOTICE :

Please make a copy of your invoice and keep it with this manual and register your dishwasher on-line.