

The Platinum™ Series features searing PrimaNova 25,000 BTU burners for maximum, concentrated heat; an interchangeable cast-iron griddle charbroiler system that offers the ultimate in cooking flexibility; and the revolutionary PowR Oven™ technology to ensure faster, more efficient heating.

PRODUCT FEATURES

- PrimaNova™ power burner delivers 25,000 BTUs of intense heat
- All burners including Interchangeable Griddle Charbroiler
- Gentle 130° simmer burner
- Integrated wok cooking
- New PowR Oven™ provides 40% faster preheating and 30% increase in oven efficiency
- Extra-large oven with True European Convection with 1850° Infrared Broiler
- Accommodates half-size 18" x 13" baking sheet
- Available in 1,000+ colors & finishes plus 10 metal trims
- Handcrafted in Pennsylvania since 1880

SPECIFICATIONS

Range Dimensions: 23.875"W x 24"D x 36.75"H
 Oven Interior: 20.25"W x 20"D x 15"H
 Top Burner Rating: 25,000 BTUs
 Simmer Burner Rating: 1,300 BTUs
 PowR™ Oven Burner Rating: 25,000 BTUs
 Infrared Broiler Rating: 15,000 BTUs
 Electrical Requirements: 120V, 60Hz, 15 AMPs, 1 PH
 (Unit must be on a Non-GFI, dedicated outlet)
 Operating Gas Pressure: NAT: 5.0" WC, LP: 10.0" WC
 Incoming Gas Line: 1/2"
 Installation Clearance: 0" Side Cabinet | 0" Back Wall

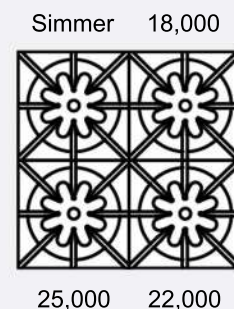


MODEL CONFIGURATION

4 Burners

BSP244B

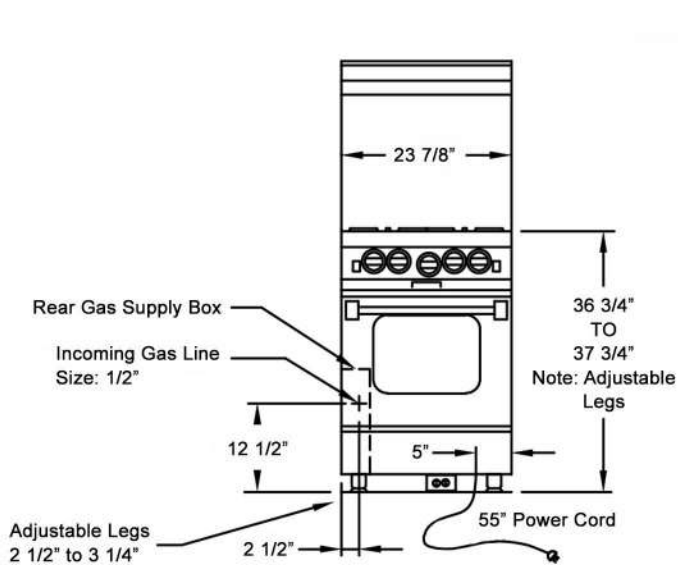
BURNER CONFIGURATION



ADDITIONAL CUSTOMIZATION OPTIONS

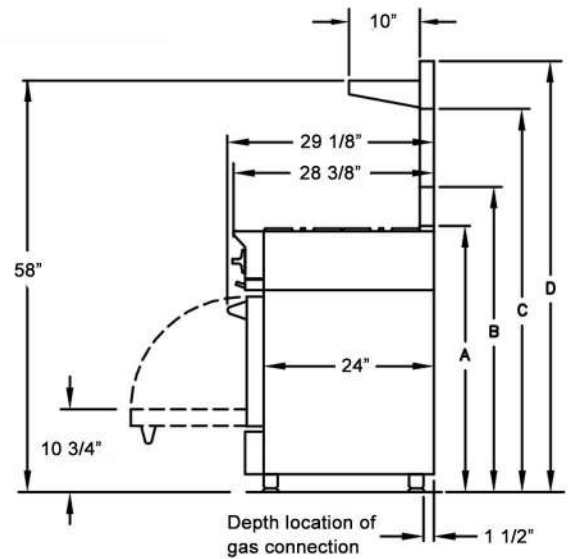
- 1,000+ Colors & finishes plus 10 designer trim options
- Painted knobs
- Backguard options

*All specifications subject to change without notice.
 Visit www.bluestarcooking.com prior to site preparation or installation.*



Electrical cord located in back of unit

Location of electrical outlet must not be higher than 3" from floor if located behind the unit or can be located in an adjoining cabinet.



- (A) Island Trim Height 37 1/2"
- (B) 6" Backguard Height 43"
- (C) 17" Backguard Height 54"
- (D) High Shelf Height 60 3/4"

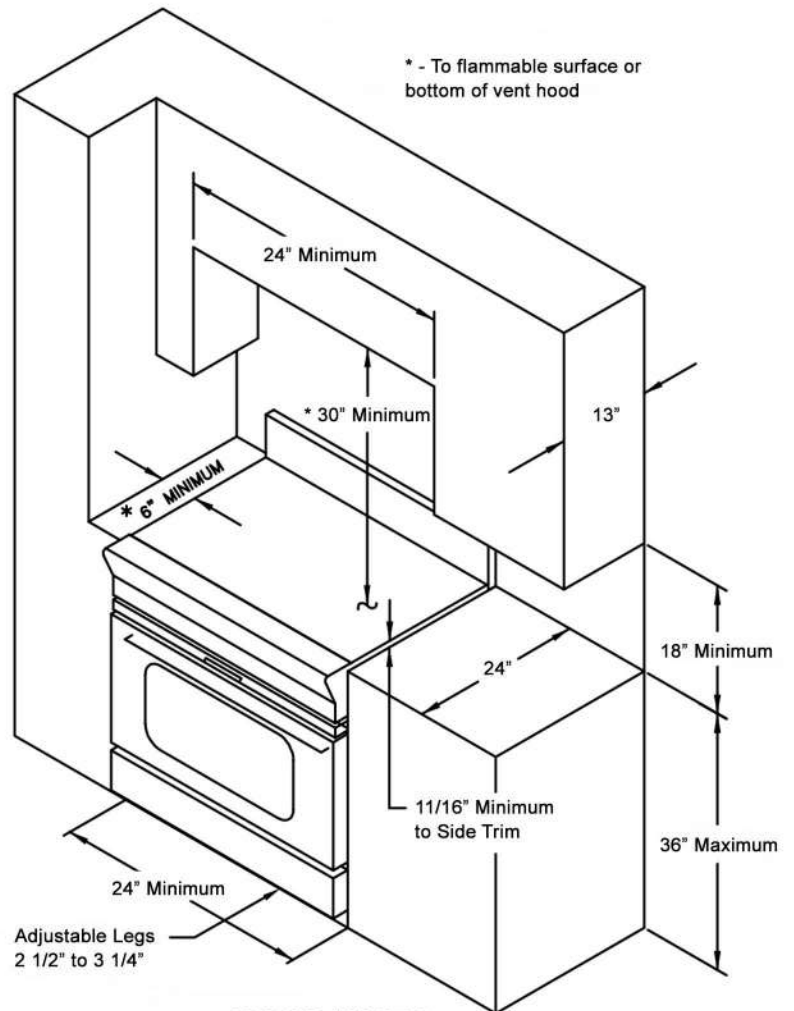
RELATED PRODUCTS



PRO Built-In Refrigeration



Designer Series Vent Hoods



CLEARANCES