

With its distinctive combination of commercial-style performance and unrivaled customization options, the BlueStar® Nova Series offers unique options tailored to any individual style or cooking preference. Available in 1,000+ colors and finishes plus 10 metal trims, the Nova Series can be customized with integrated cooking features like griddles, charbroilers, and swing doors.

## PRODUCT FEATURES

- 22,000 BTU UltraNova™ open burners
- Available with all burners or add an integrated griddle, charbroiler or French top
- Gentle 130° simmer burner
- Integrated wok cooking
- Extra-large convection oven with 1850° infrared broiler that can accommodate an 18" x 26" baking sheet
- Includes full extension oven rack plus two standard racks
- Available in 1,000+ colors & finishes plus 10 metal trims
- Available with swing doors
- Handcrafted in Pennsylvania since 1880

## SPECIFICATIONS

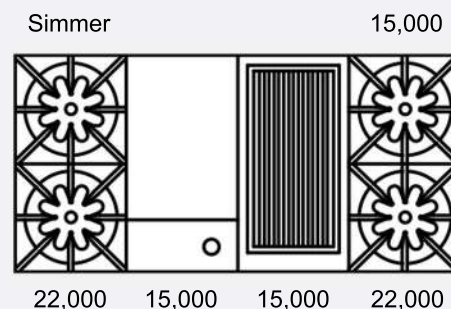
Range Dimensions: 47.875"W x 24"D x 36.75"H  
 Large Oven Interior: 26.438"W x 20"D x 15"H  
 Small Oven Interior: 13.578"W x 20"D x 15"H  
 Top Burner Rating: 22,000 BTUs  
 Simmer Burner Rating: 1,300 BTUs  
 12" Griddle Rating: 15,000 BTUs  
 12" Charbroiler Rating: 15,000 BTUs  
 Large Oven Burner Rating: 30,000 BTUs  
 Small Oven Burner Rating: 15,000 BTUs  
 Infrared Broiler Rating: 15,000 BTUs  
 Electrical Requirements: 120V, 60Hz, 15 AMPs, 1 PH  
 (Unit must be on a Non-GFI, dedicated outlet)  
 Operating Gas Pressure: NAT: 5.0" WC, LP: 10.0" WC  
 Incoming Gas Line: 3/4"  
 Installation Clearance: 0" Side Cabinet | 0" Back Wall



## MODEL CONFIGURATION

4 Burners RNB484GCBV2  
 with 12" Griddle & Charbroiler

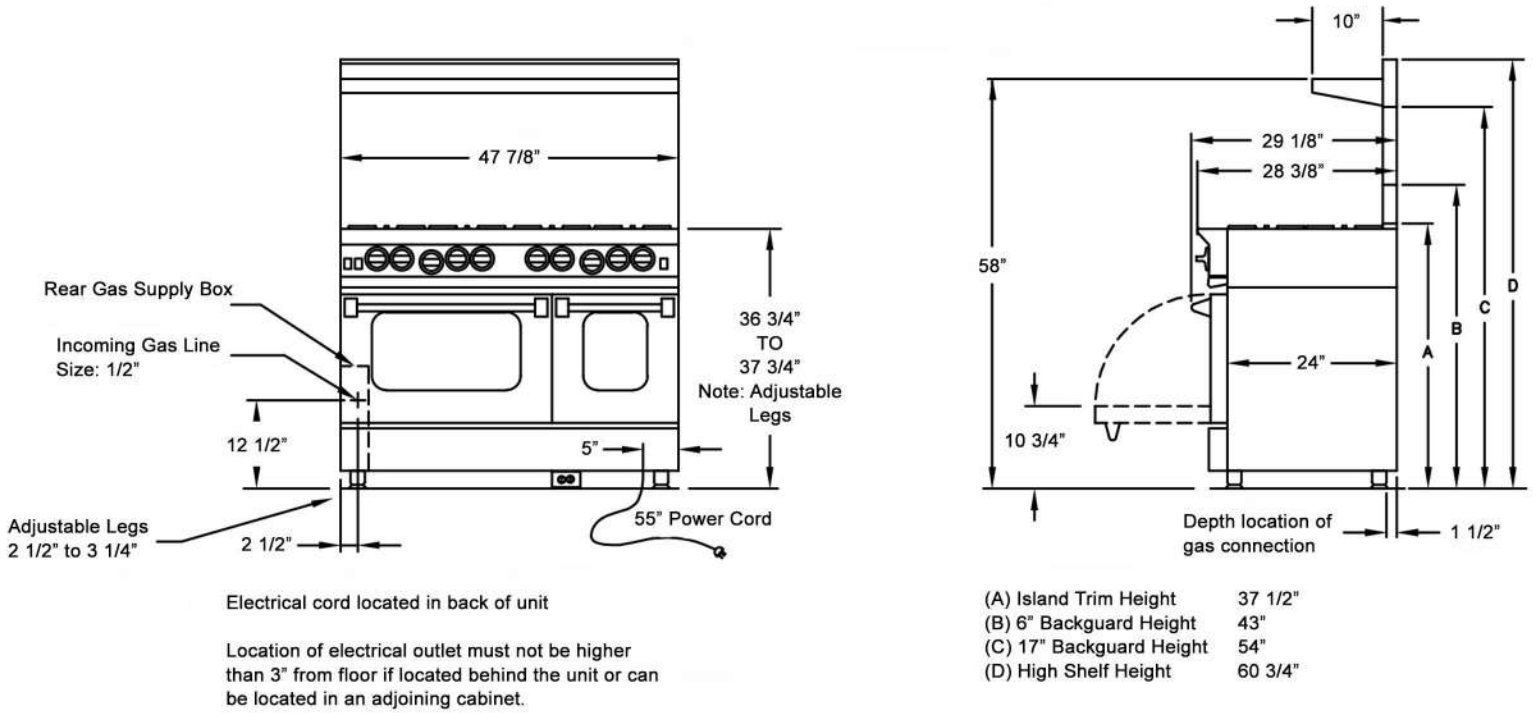
## BURNER CONFIGURATION



## ADDITIONAL CUSTOMIZATION OPTIONS

- Integrated 12" or 24" griddle or charbroiler
- Integrated 24" French top
- 1,000+ Colors & finishes plus 10 designer trim options
- Painted knobs
- Swing doors

*All specifications subject to change without notice.  
 Visit [www.bluestarcooking.com](http://www.bluestarcooking.com) prior to site preparation or installation.*



## RELATED PRODUCTS



**PRO Built-In Refrigeration**



**Designer Series Vent Hoods**

